

Refraction unit ZULU



ZULU 3



ZULU 1



ZULU 2R

Features

- Elevating table top (25cm)
- Elevating chair (15cm)
- Removable chair for wheelchair access
- Aluminium column with support for chart projector and overhead LED lamp with adjustable illumination
- Integrated adjustable transformer for slit lamp
- Chin rest support plate
- Liftboy assistant - instrument height correction system
- 230V outlet for additional instrument
- Right- or left-handed convertible on customers site

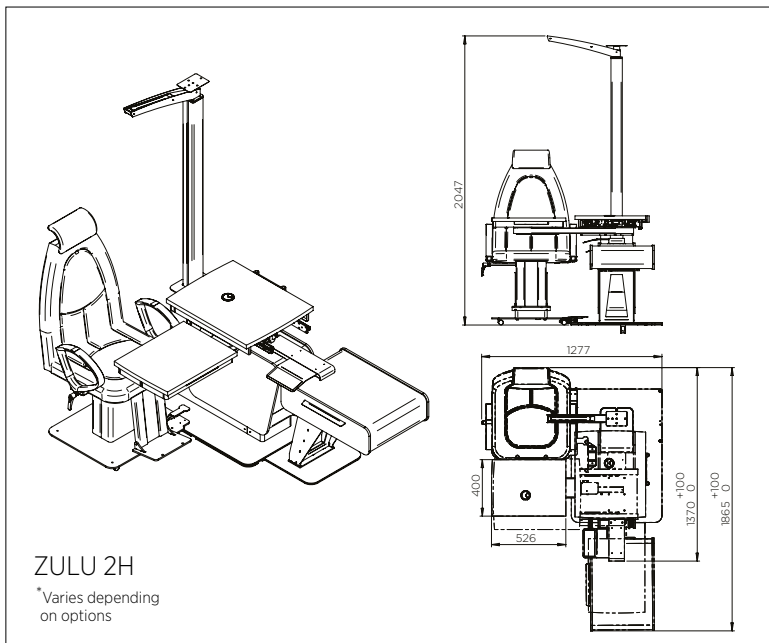
Optional

- Counterbalanced phoropter arm
- Horizontal phoropter arm (except Zulu3)
- Horizontal electrical phoropter arm (except Zulu3)
- Foot rest (fixed or tip-up or tube type)
- Arm rests (fixed or tip-up or tip-up w.chair upholstery)
- Chair with reclining back
- Foot switch control for up/down movement of the chair
- Manual (13cm) or motorized (14cm) chair sliding forward - backwards
- Installed data cables (Fire Wire, USB, RS232, etc.)
- Stand for operational panel of digital phoropter
- Room light controller
- Pillow for children
- Cabinet with drawer for trial lenses set
- Doctor desk



ZULU serie

- **Zulu 1** version with rotating table top for 1 instrument, lockable in any position.
- **Zulu 1F** version with table top for 1 instrument, lockable in front of the patient.
- **Zulu 2R** version with rotating table top for 2 instruments, lockable in any position.
- **Zulu 2S** version with sliding table top for 2 instruments, lockable in front of the patient.
- **Zulu 2H** version with sliding and swiveling table tops for 2 instruments, lockable in front of the patient. For heavy instruments (e.g. OCT).
- **Zulu 3** version with rotating table top for 3 instruments, lockable in any position.



Technical information

Max height	196 cm
Table height from the ground	From 74cm to 99cm (25cm lift)
Chair height from the ground*	From 48cm to 63cm (15cm lift)
Chair rotation	* 360°
Overhead lamp	LED 4x 3W 700mA
Instruments power supply	-230V, programmable 5-20V AC or DC, dimmable or constant
Power supply voltage**	-230V 50/60Hz
Total weight*	210kg

Zulu1/Zulu1F: Max weight of the instrument 25kg

Zulu2H: Max weight of the instruments (1st - 2nd) 40kg - 40kg

Zulu2R/Zulu2S: Max weight of the instruments (1st - 2nd) 20kg - 20kg

Zulu3: Max weight of the instruments (1st - 2nd - 3rd) 15kg - 20kg - 20kg

* Varies depending on options. ** Power supply voltage -115V on request.

